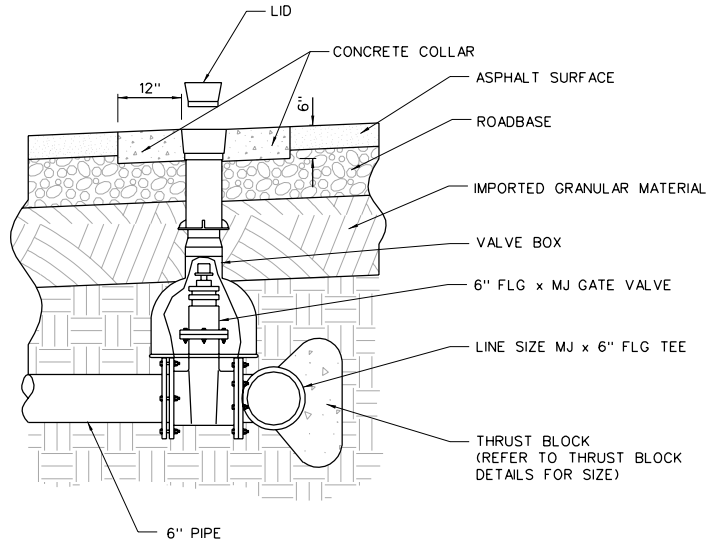
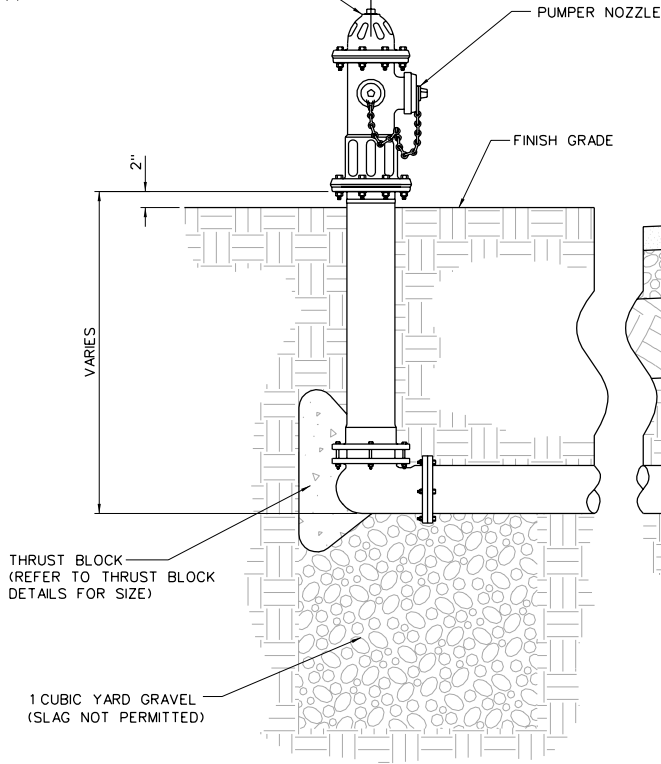
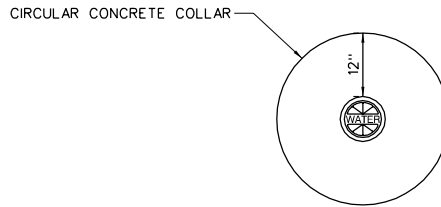


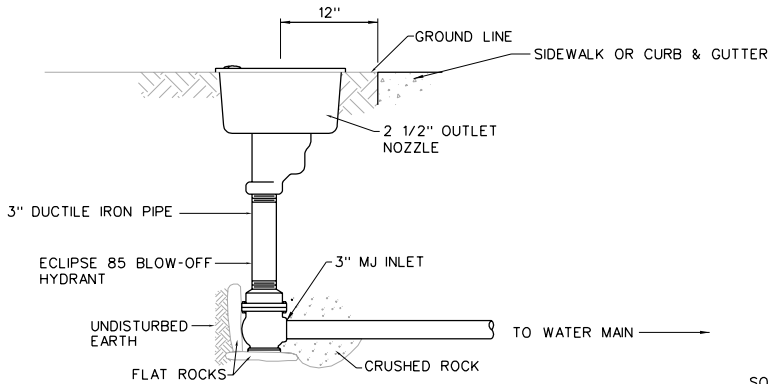
MUELLER "SUPER CENTURION 200"  
OR WATEROUS "PACER"  
5/4" FIRE HYDRANT



### FIRE HYDRANT & WATER VALVE

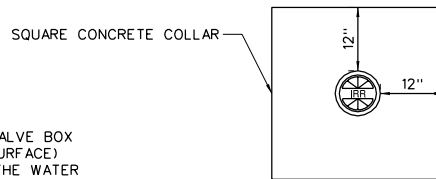


### CULINARY WATER VALVE CONCRETE COLLAR



### BLOW-OFF HYDRANT

NOTE:  
A 2" GATE VALVE WITH VALVE BOX  
(ACCESSIBLE FROM THE SURFACE)  
SHALL BE INSTALLED AT THE WATER  
MAIN CONNECTION.



### PRESSURE IRRIGATION VALVE CONCRETE COLLAR



#### STATEMENT OF USE

THIS DOCUMENT AND ANY ILLUSTRATIONS HEREON ARE PROVIDED AS STANDARD CONSTRUCTION DETAILS WITHIN LINDON CITY. DEVIATION FROM THIS DOCUMENT REQUIRES APPROVAL OF LINDON CITY CORPORATION AND J-U-B ENGINEERS CAN NOT BE HELD LIABLE FOR MISUSE OR CHANGES REGARDING THIS DOCUMENT.

#### REVISION

NO.	DESCRIPTION	BY	APR	DATE
1	ADD BLOW OFF HYDRANT AND CONCRETE COLLAR DETAILS	CJF	M.C	20JAN04
2	ADDED NOTE	TRG	M.C	9JAN08



### FIRE HYDRANT, BLOW-OFF HYDRANT & WATER VALVE DETAIL

LINDON CITY  
100 NORTH STATE

STANDARD DRAWING NUMBER:	14
CAD DWG: LC StdDwg.dgn	
PLOT SCALE:	1:000
DRAWN BY:	BKW
DESIGN BY:	OCT
CHECKED BY:	MJL
ADOPTED DATE:	15 JAN 08