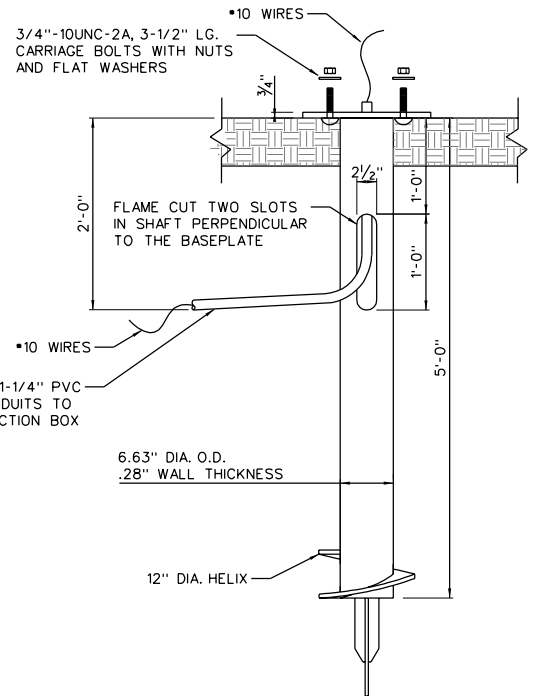


NOTE:
 (1) GROUND ROD AND PLASTIC CONDUITS MUST BE LOCATED WITHIN A 3" RADIUS FROM THE CENTER OF BOLT CIRCLE.
 (2) IN-LINE WATERTIGHT FUSE HOLDERS REQUIRED AT CONNECTION POINT IN BASE OF LIGHT. LITTLEFUSE *WPB1 OR EQUAL.

CONCRETE FOUNDATION

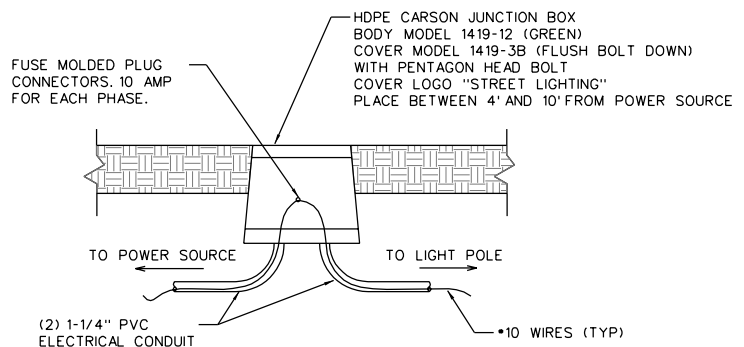
NOTE:
 ONLY ONE PVC CONDUIT IS REQUIRED FOR STREET LIGHTS THAT DO NOT HAVE A POWER RECEPTACLE



NOTE:
 GROUND PER MANUFACTURER'S RECOMMENDATIONS

SCREW FOUNDATION

A. B. CHANCE COMPANY
 CATALOG NUMBER T112-0671
 OR APPROVED EQUAL



JUNCTION BOX



STATEMENT OF USE

THIS DOCUMENT AND ANY ILLUSTRATIONS HEREON ARE PROVIDED AS STANDARD CONSTRUCTION DETAILS WITHIN LINDON CITY. DEVIATION FROM THIS DOCUMENT REQUIRES APPROVAL OF LINDON CITY CORPORATION AND J-U-B ENGINEERS CAN NOT BE HELD LIABLE FOR MISUSE OR CHANGES REGARDING THIS DOCUMENT.

REVISION

NO.	DESCRIPTION	BY	APR	DATE
1	ADD JUNCTION BOX DETAIL AND RENUMBER DRAWING	M.C.	M.C.	01/29/08



FOUNDATIONS FOR WASHINGTON POSTLITE AND ESPLANADE STREET LIGHTS

LINDON CITY
 100 NORTH STATE

STANDARD DRAWING NUMBER: **23c**
 CAD DWG: LC StdDwg.dgn
 PLOT SCALE: 1:1000
 DRAWN BY: BTW
 DESIGN BY: MLC
 CHECKED BY: MLC
 ADOPTED DATE: 15 JAN 08